



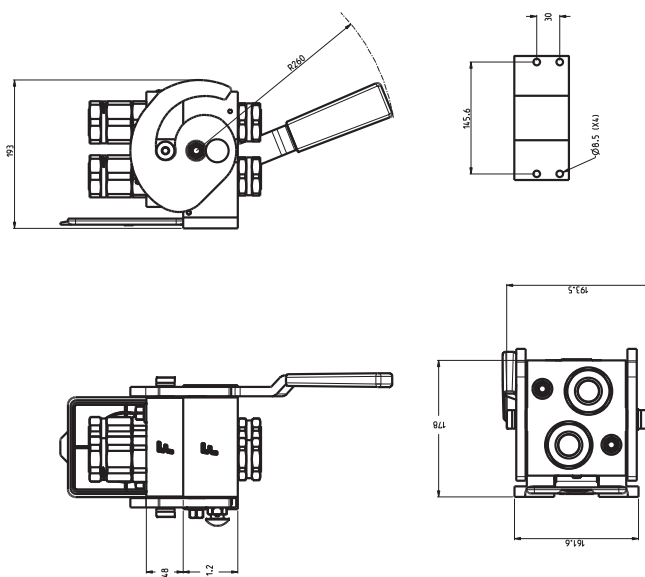
# MF PH216S

**MultiFaster, high pressure version, 2 lines size 16.**

New multi-connection system specifically designed to withstand high pressure applications (46 MPa). Equipped with 2 lines size 16. Black cataphoresis plates with Zn-Ni plated carbon steel handle and cams.



## Applications



## Technical Specifications

dash	Size		Working Pressure (MPa)	Flow Rate (l/min)	Spillage (ml)	Burst pressure (MPa)		
	mm	inch				Male	Female	Male + Female
16	25	1"	46	150	0.03	138	138	138

Material	<b>Steel</b>
Seals	<b>FKM &amp; PUR</b>
Working temperatures	<b>-25 °C to 100 °C</b>
Surface treatment	<b>MATE 1000 (ZnNi);</b>

Valve Type	<b>Flat</b>
Connection	<b>Screw to Connect</b>
Disconnection	<b>Unscrew to Disconnect</b>
Connection Under Pressure	<b>Allowed Male Half up to W.P.</b>



# PH216S

Size					Thread Type					FIXED
dash	mm	inch	Housing	Number of Couplings	Thread Type	Standard	Thread	Electrical Connector N	Connector Type	Part Number
16	25	1"	2	2	F BSPP	ISO 1179-1	BSPP 1" FEMALE			PH216S-2-1G F C

Size					Thread Type					MOBILE
dash	mm	inch	Housing	Number of Couplings	Thread Type	Standard	Thread	Electrical Connector N	Connector Type	Part Number
16	25	1"	2	2	F BSPP	ISO 1179-1	BSPP 1" FEMALE			3PH216S-2-1G M C

## Spare Parts & Accessories

Female Half				Male Half					
Plates	Lever	Dust cover	Safety Lock	Plates	Seals male	Screws	Plugs	Guiding pins	Docking
			KIT SP5 7		SK MF 1	KIT VPH			

